

I²C Controlled 13.5V/3A, 1-Cell Battery Charger with Power Path Management and USB Charger Detection

DESCRIPTION

ETA6963 is a highly-integrated 3A switch-mode battery charge and system power path management device for single cell Li-Ion and Li-polymer battery. It features fast charging with high input voltage support for a wide range of smart phones, tablets and portable devices. Its low impedance power path optimizes switch-mode operation efficiency, reduces battery charging time and extends battery life. Its input voltage and current regulation deliver maximum charging power. The solution is highly integrated with input reverse-blocking FET, high/low-side switching FET, and battery FET. It also integrates the bootstrap diode for the high-side gate drive. The I²C serial interface with charging and system settings makes the device a truly flexible solution. The device supports a wide range of input sources. The device is compliant with USB 2.0 and USB 3.0 power spec with input current and voltage regulation. The device also meets USB On-the-Go (OTG) operation power rating specification by supplying 5.15 V on BUS pin with constant current limit up to 1.2A. The power path management regulates the system slightly above battery voltage but does not drop below 3.5 V minimum system voltage (programmable). With this feature, the system maintains operation even when the battery is completely depleted or removed. When the input current limit or voltage limit is reached, the power path management automatically reduces the charge current to zero. As the system load continues to increase, the power path discharges the battery until the system power requirement is met. This Supplement Mode prevents overloading the input source.

The ETA6963 is available in a QFN4x4-24L package.

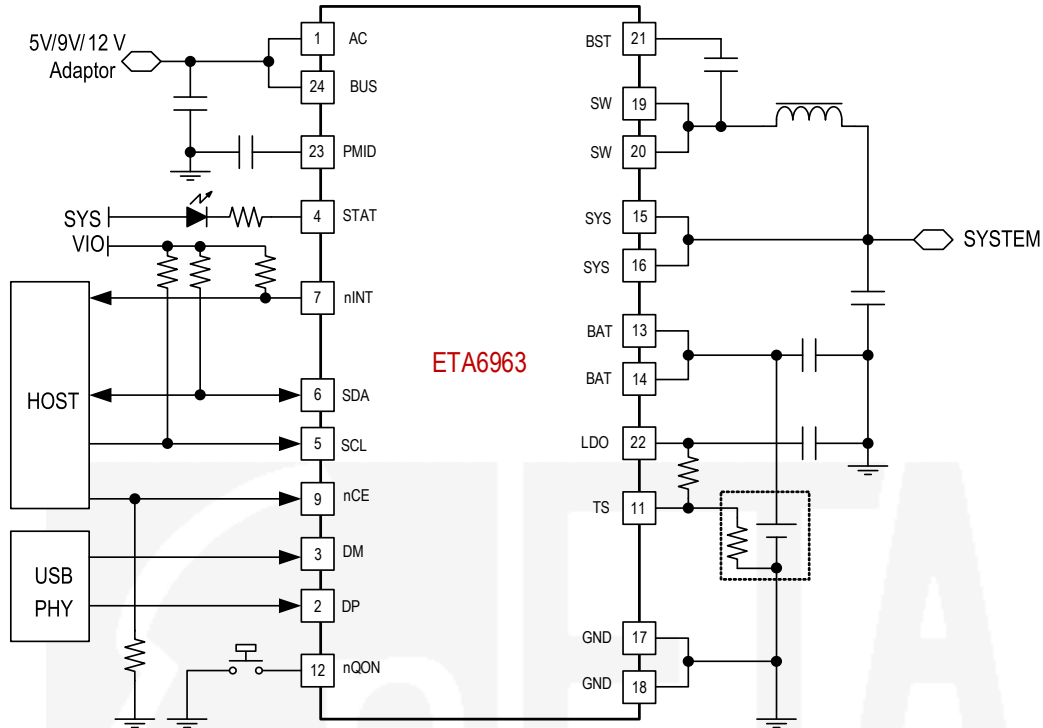
FEATURES

- ◆ High-Efficiency, 1.5MHz, Synchronous Switching Buck Charger
 - 90% Charge Efficiency at 2A from 5V Input
 - Programmable PFM Mode for Light Load Conditions
- ◆ Supports USB On-The-Go (OTG)
 - Programmable Current Limit Boost Converter with Up to 1.2A Output
- ◆ Wide Range Single Input to Support both USB Input and High Voltage Adapters
 - Support 3.9V to 13.5V Input Voltage Range With 22V Absolute Maximum Input Voltage Rating
 - Programmable Input Current Limit (100mA to 3.2A With 100mA Resolution)
 - Auto Detect USB BC1.2, SDP, CDP, DCP and Non-Standard Adaptors
- ◆ Narrow VDC (NVDC) Power Path Management
- ◆ BATFET Control to Support Ship Mode, Wake Up and Full System Reset
- ◆ Flexible Autonomous and I²C Mode for Optimal System Performance
- ◆ High Integration Includes All MOSFETs, Current Sensing and Loop Compensation
- ◆ Safety
 - Battery Temperature Sensing for Charge and Boost Mode
 - Thermal Regulation and Thermal Shutdown
- ◆ Input UVLO and Overvoltage Protection

APPLICATIONS

- ◆ Tablet PC, Smart Phone, Internet Devices
- ◆ Portable Audio Speaker, Handheld Computers, PDA, POS

TYPICAL APPLICATION



ORDERING

PART No.

PACKAGE

TOP MARK

Pcs/Reel

INFORMATION

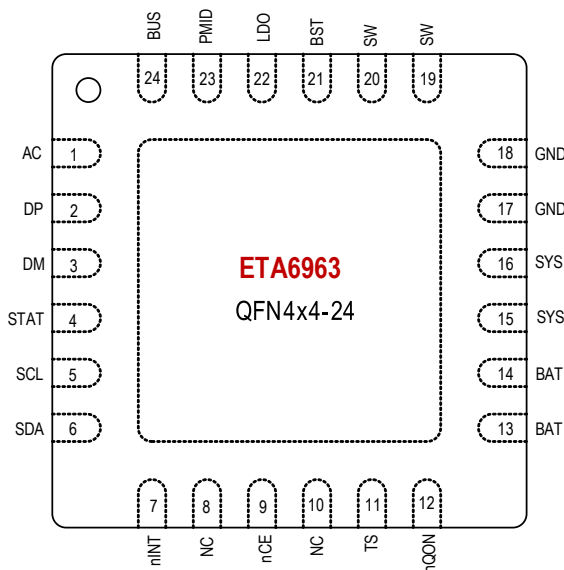
ETA6963Q4Y

QFN4x4-24

ETA6963
YWW2L

5000

PIN CONFIGURATION



ABSOLUTE MAXIMUM RATINGS

(Note: Exceeding these limits may damage the device. Exposure to absolute maximum rating conditions for long periods may affect device reliability.)

| | |
|--|---------------------|
| AC, BUS, PMID pin to GND Voltage | -2V to 22V |
| SW to GND Voltage..... | -0.3V to 22V |
| SYS, BAT to GND Voltage..... | -0.3V to 6V |
| BST to SW Voltage | -0.3V to 6V |
| All Other Pin to GND Voltage..... | -0.3V to 6V |
| SW, BUS, BAT, SYS to PGND current..... | Internally limited |
| Operating Temperature Range..... | -40°C to 85°C |
| Storage Temperature Range..... | -55°C to 150°C |
| Thermal Resistance θ_{JA} θ_{JC} | |
| QFN4x4-24..... | 35.....10..... °C/W |
| Lead Temperature (Soldering,10sec) | 260°C |
| ESD HBM (Human Body Mode) | 2KV |

ELECTRICAL CHARACTERISTICS

($V_{BAT} = 3.6V$, unless otherwise specified. Typical values are at $T_A = 25^{\circ}C$.)

| PARAMETER | CONDITIONS | MIN | TYP | MAX | UNITS |
|---|---|-----|------|------|---------|
| QUIESCENT CURRENTS | | | | | |
| Battery discharge current (BAT, SW, SYS) in buck mode | $V_{BAT} = 4.5V$, $V_{BUS} < V_{BUS_UVLOZ}$, leakage between BAT and BUS, $T_J < 85^{\circ}C$ | | | 5 | μA |
| Battery discharge current (BAT) in buck mode | $V_{BAT} = 4.5V$, HIZ Mode and $BATFET_DIS = 1$ or No V_{BUS} , I ² C disabled, BATFET Disabled. $T_J < 85^{\circ}C$ | | 20 | 40 | μA |
| Battery discharge current (BAT, SW, SYS) | $V_{BAT} = 4.5V$, HIZ Mode and $OVPFET_DIS = 1$ or No V_{BUS} , I ² C Disabled, BATFET Enabled. $T_J < 85^{\circ}C$ | | 80 | 160 | μA |
| Input supply current (V_{BUS}) in buck mode | $V_{BUS} > V_{BUS_UVLO}$, $V_{BUS} > V_{BAT}$, converter switching, $V_{BAT} = 3.8V$, $I_{SYS} = 0A$ | | 5 | | mA |
| Battery Discharge Current in boost mode | $V_{BAT} = 4.2V$, boost mode, $I_{BUS} = 0A$, converter switching | | 2 | | mA |
| BUS, AC AND BAT PIN POWER-UP | | | | | |
| V_{BUS} operating range | V_{BUS} rising | 3.9 | | 13.5 | V |
| V_{BUS} for active I ² C, no battery Sense BUS pin voltage | V_{BUS} rising | | 3.3 | 3.6 | V |
| I ² C active hysteresis | V_{BUS} falling from above V_{BUS_UVLO} | | 300 | | mV |
| One of the conditions to turn on LDO | V_{BUS} rising | | 3.65 | 3.9 | V |
| One of the conditions to turn on LDO | V_{BUS} falling | | 500 | | mV |
| Sleep mode falling threshold | $(V_{BUS} - V_{BAT})$, $V_{BUSMIN_FALL} \leq V_{BAT} \leq V_{REG}$, V_{BUS} falling | 15 | 60 | 110 | mV |
| Sleep mode rising threshold | $(V_{BUS} - V_{BAT})$, $V_{BUSMIN_FALL} \leq V_{BAT} \leq V_{REG}$, V_{BUS} rising | 110 | 220 | 330 | mV |
| V_{BUS} 6.5V Overvoltage rising threshold | V_{BUS} rising, $OVP<1:0> = '01'$ | 6 | 6.5 | 7 | V |
| V_{BUS} 11V Overvoltage rising threshold | V_{BUS} rising, $OVP<1:0> = '10'$ | 10 | 11 | 12 | V |
| V_{BUS} 14V Overvoltage rising threshold | V_{BUS} rising, $OVP<1:0> = '11'$ | 13 | 14 | 15 | V |
| V_{BUS} 6.5V Overvoltage hysteresis | V_{BUS} falling, $OVP<1:0> = '01'$ | | 220 | | mV |
| V_{BUS} 11V Overvoltage hysteresis | V_{BUS} falling, $OVP<1:0> = '10'$ | | 400 | | mV |

| PARAMETER | CONDITIONS | MIN | TYP | MAX | UNITS |
|---|---|------|------|-----|-------|
| V _{BUS} 14V Overvoltage hysteresis | V _{BUS} falling, OVP<1:0> = '11' | | 500 | | mV |
| BAT for active I ² C, no adapter | V _{BAT} rising | 2.5 | 2.7 | | V |
| Battery Depletion Threshold | V _{BAT} falling | 2.2 | 2.4 | 2.6 | V |
| Battery Depletion Threshold | V _{BAT} rising | 2.35 | 2.58 | 2.8 | V |
| Battery Depletion rising hysteresis | V _{BAT} rising | | 180 | | mV |
| Bad adapter detection falling threshold | V _{BUS} falling | 3.7 | 3.9 | 4.1 | V |
| Bad adapter detection hysteresis | | | 80 | | mV |
| Bad adapter detection current source | Sink current from V _{BUS} to GND | | 30 | | mA |

POWER-PATH

| | | | | | |
|--|--|----|----------------------------|-----|----|
| System regulation voltage | V _{BAT} < SYS_MIN[2:0] = 101, BATFET Disabled (REG07[5] = 1) | | 3.68 | | V |
| System Regulation Voltage | I _{SYS} = 0A, V _{BAT} > V _{SYS_MIN} , BATFET disabled (REG07[5] = 1) | | V _{BAT} + 70mV | | |
| Maximum DC system voltage output | I _{SYS} = 0A, V _{BAT} = 4.4V, BATFET disabled (REG07[5] = 1) | | 4.47 | | V |
| Top reverse blocking MOSFET on-resistance between VBUS and PMID - Q1 | -40°C ≤ T _A ≤ 125°C | 20 | 40 | 60 | mΩ |
| Top switching MOSFET on-resistance between PMID and SW- Q2 | V _{LDO} = 5 V, -40°C ≤ T _A ≤ 125°C | 35 | 70 | 105 | mΩ |
| Bottom switching MOSFET on-resistance between SW and GND- Q3 | V _{LDO} = 5 V, -40°C ≤ T _A ≤ 125°C | 21 | 43 | 65 | mΩ |
| SYS-BAT MOSFET on-resistance – Q4 | QFN package, Measured from BAT to SYS, V _{BAT} = 4.2V, T _J = -40-125°C | 13 | 27 | 40 | mΩ |
| BATFET forward voltage in supplement mode | | | 30 | | mV |

BATTERY CHARGER

| | | | | | |
|------------------------------------|--|-------|------|-------|----|
| Charge voltage program range | | 3.848 | | 4.616 | V |
| Charge voltage step | | | 32 | | mV |
| Charge voltage setting | V _{REG} (REG04[7:3]= 01011) = 4.2 V | 4.179 | 4.2 | 4.221 | V |
| Charge voltage setting accuracy | V _{BAT} = 4.2 V | -0.5 | | +0.5 | % |
| Charge current regulation range | | 0 | | 3000 | mA |
| Charge current regulation step | | | 60 | | mA |
| Charge current regulation setting | I _{CHG} = 240 mA, V _{BAT} = 3.8V | | 0.24 | | A |
| Charge current regulation accuracy | I _{CHG} = 240 mA, V _{BAT} = 3.8V | -10 | | +10 | % |
| Battery LOW falling threshold | I _{CHG} = 240mA | 2.6 | 2.8 | 3 | V |

| PARAMETER | CONDITIONS | MIN | TYP | MAX | UNITS |
|---|--|------|------|------|-------|
| Battery LOW rising threshold | Pre-charge to Fast charge | 2.9 | 3.1 | 3.3 | V |
| Pre-charge current regulation | IPRECHG[3:0] = '0010' | 90 | 180 | 270 | mA |
| Termination current regulation | ITERM[3:0] = '0010', V _{BAT} = 4.2V | 90 | 180 | 270 | mA |
| Battery short voltage | V _{BAT} falling | 1.8 | 2 | 2.2 | V |
| Battery short voltage | V _{BAT} rising | 2.05 | 2.25 | 2.45 | V |
| Battery short current | V _{BAT} = 1V | | 145 | | mA |
| Recharge Threshold below V _{BAT_REG} | V _{BAT} falling, REG04[0] = 0 | 70 | 120 | 170 | mV |
| Recharge Threshold below V _{BAT_REG} | V _{BAT} falling, REG04[0] = 1 | 190 | 240 | 290 | mV |

INPUT VOLTAGE AND CURRENT REGULATION

| | | | | | |
|--|---|------|-----|------|----|
| Input voltage regulation limit | VINDPM[3:0] = 0110 = 4.5 V | 4.32 | 4.5 | 4.68 | V |
| Input voltage regulation accuracy | | -4 | | 4 | % |
| Input voltage regulation limit tracking V _{BAT} | VINDPM[3:0] = 3.9V, V _{DPM_VBAT_TRACK} = 300mV, V _{BAT} = 4.0V | 4.13 | 4.3 | 4.47 | V |
| USB input current regulation limit | V _{BUS} = 5V, current pulled from SW, IINDPM [4:0] = 10111 | 2.16 | 2.4 | 2.64 | A |
| Input current limit during system start-up sequence | | | 200 | | mA |

BAT PIN OVERVOLTAGE PROTECTION

| | | | | | |
|--|---|--|-----|--|---|
| Battery overvoltage threshold | V _{BAT} rising, as percentage of V _{BAT_REG} | | 108 | | % |
| Battery overvoltage threshold Hysteresis | V _{BAT} falling, as percentage of V _{BAT_REG} | | 103 | | % |

THERMAL REGULATION AND THERMAL SHUTDOWN

| | | | | | |
|---|----------------------------------|--|-----|--|----|
| Junction Temperature Regulation Threshold | Temperature Increasing, TREG = 1 | | 110 | | °C |
| Junction Temperature Regulation Threshold | Temperature Increasing, TREG = 0 | | 90 | | °C |
| Thermal Shutdown Rising Temperature | | | 160 | | °C |
| Thermal Shutdown Hysteresis | | | 30 | | °C |

JEITA Thermistor Comparator (BUCK MODE)

| | | | | | |
|--|---|--|------|--|--------------------|
| T1 (0°C) threshold, Charge suspended T1 below this temperature. | Charger suspends charge. As Percentage to V _{LDO} | | 73.3 | | % V _{LDO} |
| Falling | As Percentage to V _{LDO} | | 71.5 | | % V _{LDO} |
| T2 (10°C) threshold, Charge back to I _{CHG} /2 and 4.2 V below this temperature | As Percentage to V _{LDO} | | 68 | | % V _{LDO} |
| Falling | As Percentage to V _{LDO} | | 66.8 | | % V _{LDO} |

| PARAMETER | CONDITIONS | MIN | TYP | MAX | UNITS |
|--|--|------|------|------|--------------------|
| T3 (45°C) threshold, charge back to I _{CHG} and 4.05V above this temperature. | Charger suspends charge. As Percentage to V _{LDO} | | 44.7 | | % V _{LDO} |
| Falling | As Percentage to V _{LDO} | | 45.7 | | % V _{LDO} |
| T5 (60°C) threshold, charge suspended above this temperature | As Percentage to V _{LDO} | | 34.2 | | % V _{LDO} |
| Falling | As Percentage to V _{LDO} | | 35.3 | | % V _{LDO} |
| COLD OR HOT THERMISTER COMPARATOR (BOOST MODE) | | | | | |
| Cold Temperature Threshold, TS pin Voltage Rising Threshold | As Percentage to V _{LDO} (Approx. -20°C w/ 103AT) T _J = -20°C - 125°C | 78 | 80 | 82 | % V _{LDO} |
| Falling | T _J = -20°C - 125°C | 77 | 79 | 81 | % V _{LDO} |
| Hot Temperature Threshold, TS pin Voltage falling Threshold | As Percentage to V _{LDO} (Approx. 60°C w/ 103AT), T _J = -20°C - 125°C | 29.2 | 31.2 | 33.2 | % V _{LDO} |
| Rising | T _J = -20°C - 125°C | 32.4 | 34.4 | 36.4 | % V _{LDO} |
| CHARGE OVERCURRENT COMPARATOR (CYCLE-BY-CYCLE) | | | | | |
| HSFET cycle-by-cycle over-current threshold | | 4.8 | 5.8 | 7.5 | A |
| System over load threshold | | 4.7 | 5.2 | 5.7 | A |
| CHARGE UNDER-CURRENT COMPARATOR (CYCLE-BY-CYCLE) | | | | | |
| LSFET under-current falling threshold | From sync mode to non-sync mode | | 250 | | mA |
| PWM | | | | | |
| PWM switching frequency | Oscillator frequency | | 1500 | | kHz |
| Maximum PWM duty cycle | | | 97 | | % |
| BOOST MODE OPERATION | | | | | |
| Boost mode regulation voltage | V _{BAT} = 3.8 V, I _{PMID} = 0 A, BOOSTV[1:0] = '10' | 5 | 5.15 | 5.3 | V |
| Boost mode regulation voltage accuracy | V _{BAT} = 3.8 V, I _{PMID} = 0 A, BOOSTV[1:0] = '10' | -3 | | 3 | % |
| Battery voltage exiting boost mode | V _{BAT} falling, MIN_VBAT_SEL = 0 | 2.6 | 2.8 | 3.0 | V |
| | V _{BAT} rising, MIN_VBAT_SEL = 0 | 2.8 | 3 | 3.2 | V |
| | V _{BAT} falling, MIN_VBAT_SEL = 1 | 2.3 | 2.5 | 2.7 | V |
| | V _{BAT} rising, MIN_VBAT_SEL = 1 | 2.6 | 2.8 | 3.0 | V |
| OTG mode output current | BOOST_LIM = 1 | 1.2 | 1.4 | | A |
| | BOOST_LIM = 0 | 0.5 | 0.7 | | A |
| OTG overvoltage threshold | Rising threshold | 5.6 | 6 | 6.4 | V |
| HSFET under current falling threshold | | | 100 | | mA |

| PARAMETER | CONDITIONS | MIN | TYP | MAX | UNITS |
|--|---|------|-------|------|------------|
| Hiccup Retrying timer | | | 7 | | ms |
| Hiccup Off timer | | | 28 | | ms |
| Maximum retry allowed | After the last retry, part clear OTG_CONFIG bit to disable Boost | | 7 | | Time |
| VLDO REGULATION | | | | | |
| LDO output voltage | $V_{BUS} = 9V, I_{LDO} = 40mA$ | | 5 | | V |
| LDO output current limit | $V_{BUS} = 9V, V_{LDO} = 4V$ | | 80 | | mA |
| LOGIC I/O PIN CHARACTERISTICS (nCE, SCL, SDA) | | | | | |
| Input low threshold | | | | 0.4 | V |
| Input high threshold | | 1.3 | | | V |
| High-level leakage current | Pull up rail 1.8 V | | | 1 | μA |
| LOGIC I/O PIN CHARACTERISTICS (STAT, nINT) | | | | | |
| Low-level output voltage | | | | 0.4 | V |
| VBUS/BAT POWER UP | | | | | |
| Bad adapter detection duration | | | 30 | | ms |
| BATTERY CHARGER | | | | | |
| Deglitch time for charge Termination | | | 7 | | S |
| Deglitch time for recharge | | | 32 | | ms |
| System over-current deglitch time to turn off Q4 | | | 1 | | ms |
| Battery over-voltage deglitch time to disable charge | | | 10 | | μs |
| Typical Charge Safety Timer Range | CHG_TIMER = 1 | | 10 | | Hr |
| Typical Top-Off Timer Range | TOP_OFF_TIMER[1:0] = 10 | | 30 | | min |
| nQON TIMING | | | | | |
| nQON low time to turn on BATFET and exit ship mode | $-10^{\circ}C \leq T_J \leq 60^{\circ}C$ | | 1.15 | | s |
| nQON low time to reset BATFET | $-10^{\circ}C \leq T_J \leq 60^{\circ}C$ | | 10 | | s |
| BATFET off time during full system reset | $-10^{\circ}C \leq T_J \leq 60^{\circ}C$ | | 320 | | ms |
| Enter ship mode delay | $-10^{\circ}C \leq T_J \leq 60^{\circ}C$ | | 12 | | s |
| DIGITAL CLOCK AND WATCHDOG TIMER | | | | | |
| REG05[4]=01 | | | 40 | | s |
| DP/DM DETECTION | | | | | |
| VDP/DM_600MVSRC | Voltage source (600 mV) | | 600 | | mV |
| RDM_19K | | | 19 | | k Ω |
| VDP/DM_0P325 | | | 0.325 | | V |
| V2P7_VTH | DP/DM Threshold for non-standard adapter | 2.55 | 2.7 | 2.85 | V |

| PARAMETER | CONDITIONS | MIN | TYP | MAX | UNITS |
|-----------|--|------|-----|------|-------|
| V2P0_VTH | DP/DM Threshold for non-standard adapter | 1.85 | 2.0 | 2.15 | V |
| V1P2_VTH | DP/DM Threshold for non-standard adapter | 1.05 | 1.2 | 1.35 | V |

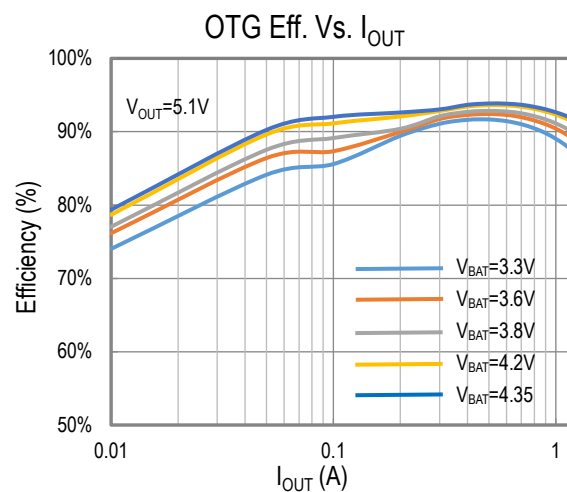
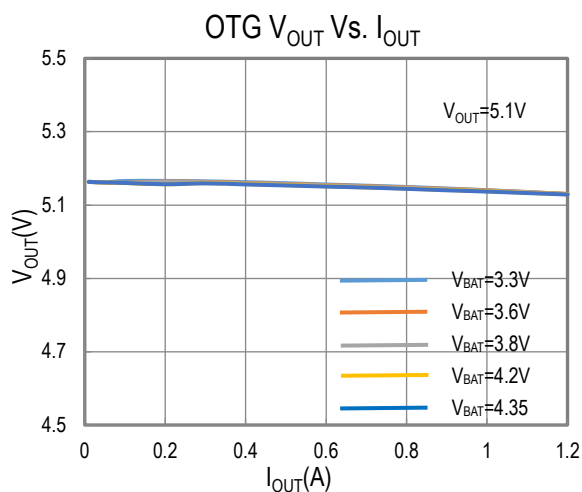
PIN DESCRIPTION

| PIN NAME | PIN # | DESCRIPTION |
|----------|-------|---|
| AC | 1 | Charger input voltage sense. This pin must be connected to BUS pin |
| BUS | 24 | Charger input voltage. Bypass it with a 10 μ F ceramic capacitor from BUS to PGND. The capacitor should be close to the BUS pin |
| DP | 2 | Positive line of the USB data line pair. DP/DM based USB host/charging port detection. The detection includes data contact detection (DCD), primary and secondary detection in BC1.2 and nonstandard adapters |
| DM | 3 | Negative line of the USB data line pair. DP/DM based USB host/charging port detection. The detection includes data contact detection (DCD), primary and secondary detection in BC1.2 and nonstandard adapters |
| STAT | 4 | Open-drain charge status output. Connect the STAT pin to a logic rail via 10k Ω resistor. The STAT pin indicates charger status. Connect a current limit resistor and a LED from a rail to this pin. Charge in progress: LOW Charge complete or charger in SLEEP mode: HIGH Charge suspend (fault response) or No bat: 1Hz, 50% duty cycle Pulses |
| SCL | 5 | I ² C interface clock. Connect a 10k Ω pull up resistor to the logic rail |
| SDA | 6 | I ² C interface data. Connect a 10k Ω pull up resistor to the logic rail |
| nINT | 7 | Open-drain interrupt Output. Connect the nINT pin to a logic rail through 10k Ω resistor. The nINT pin sends an active low, 256 μ s pulse to host to report charger device status and fault |
| NC | 8 | No Connect. Keep the pin float |
| nCE | 9 | Charge disable control pin. nCE = 0, charge is enabled. nCE = 1, charge is disabled |
| NC | 10 | No Connect. Keep the pin float |
| TS | 11 | Temperature qualification voltage input to support JEITA profile. Connect a negative temperature coefficient thermistor. Program temperature window with a resistor divider from LDO to TS to GND. Charge suspends when either TS pin is out of range. When TS pin is not used, connect a 10k Ω resistor from LDO to TS and connect a 10k Ω resistor from TS to GND. It is recommended to use a 103AT-2 thermistor |
| nQON | 12 | BATFET enable/reset control input. When BATFET is in ship mode, a logic low of t _{SHIPMODE} (typical 1.15s) duration turns on BATFET to exit shipping mode. When V _{BUS} is not plugged-in, a logic low of t _{QON_RST} (minimum 8s) duration resets SYS (system power) by turning BATFET off for t _{BATFET_RST} (minimum 250ms) and then re-enable BATFET to provide full system power reset. The pin contains an internal pull-up to maintain default high logic |

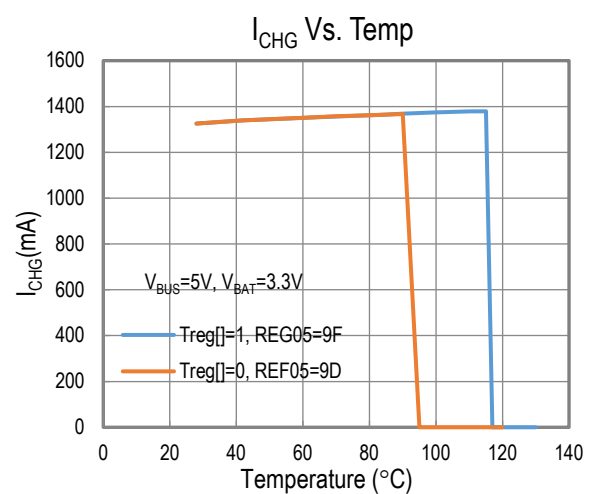
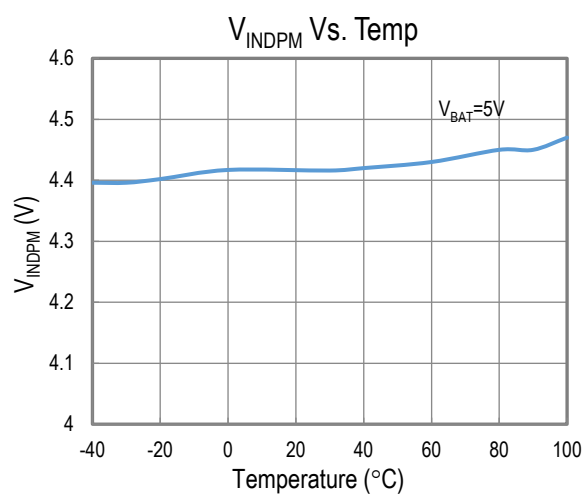
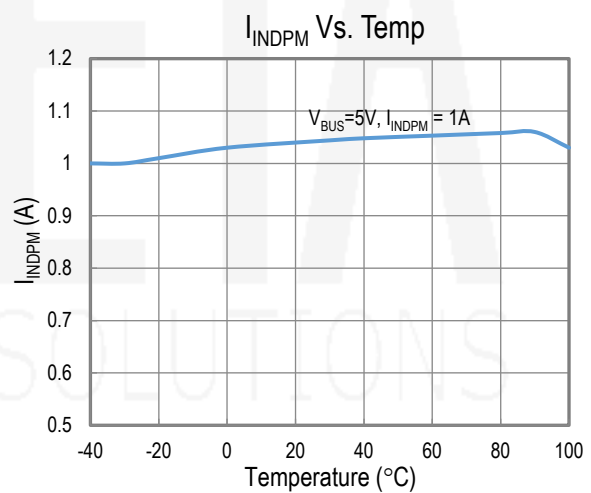
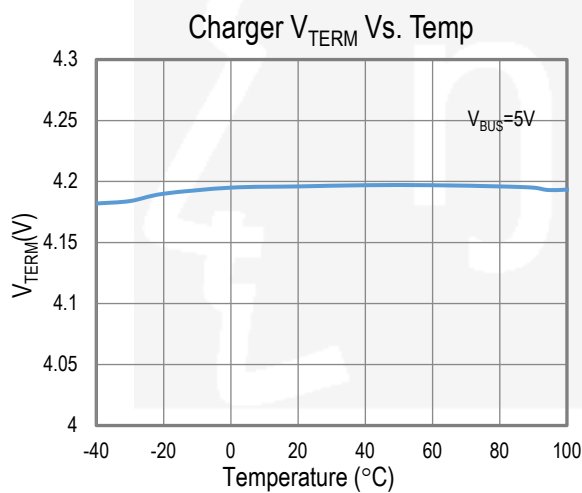
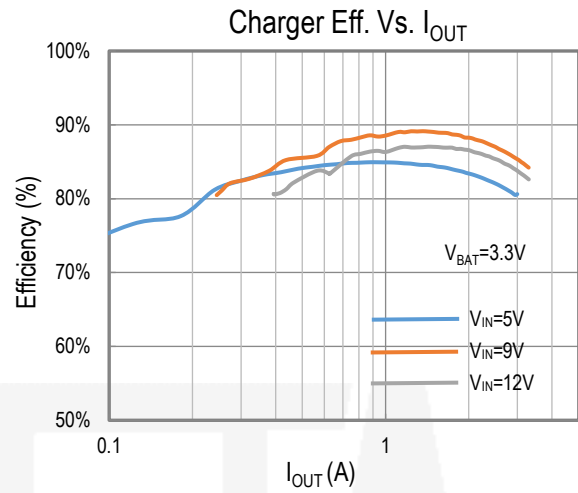
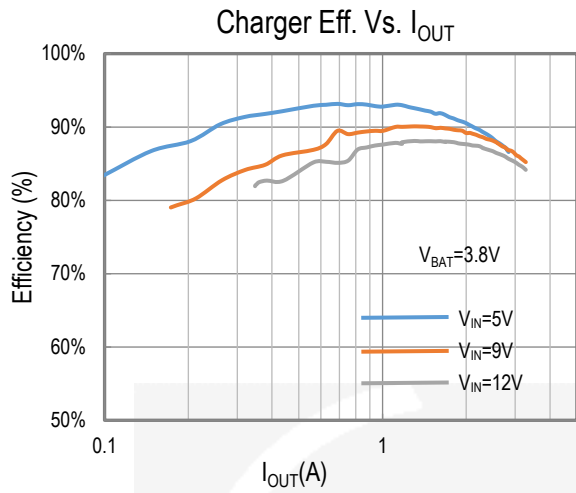
| PIN NAME | PIN # | DESCRIPTION |
|----------|--------|---|
| BAT | 13, 14 | Positive battery terminal. The internal BATFET and current sensing is connected between SYS and BAT. Connect a 10 μ F close to the BAT pin |
| SYS | 15, 16 | Converter output connection point. The internal current sensing network is connected between SYS and BAT pin. Connect 2 x10 μ F close to the SYS pin |
| GND | 17, 18 | Power Ground |
| SW | 19, 20 | Switching node output . Connected to output inductor. Connect the 10nF bootstrap capacitor from SW pin to BST pin |
| BST | 21 | Bootstrap capacitor connection for the high-side FET gate driver. Connect a 10nF ceramic capacitor from BST pin to SW pin |
| LDO | 22 | LDO Output Voltage. Bypass the pin with 4.7 μ F (10V rating) capacitor from LDO to GND. The capacitor should be closed to the pin |
| PMID | 23 | Connection point between reverse blocking FET and high-side switching FET. Bypass it with 2 x10 μ F capacitor from PMID to PGND. This capacitor should be close to the PMID pin |

TYPICAL PERFORMANCE CHARACTERISTICS

(Typical values are at $T_A = 25^\circ\text{C}$ unless otherwise specified.)



TYPICAL PERFORMANCE CHARACTERISTICS cont'



FUNCTION DESCRIPTION

ETA6963 device is a highly integrated 3A switch-mode battery charger for single cell Li-Ion and Li-polymer battery. It includes the input reverse-blocking FET (RBFET, Q1), high-side switching FET (HSFET, Q2), low-side switching FET (LSFET, Q3), and battery FET (BATFET, Q4), and bootstrap diode for the high-side gate drive

POWER UP FROM BATTERY WITHOUT INPUT SOURCE

When a battery is applied without other input, the device checks the battery voltage to turn on BATFET but not V_{LDO} to minimize the supply current, especially for NTC resistor network. All supply will be directly from battery. V_{LDO} is disabled until BOOST is enabled. Anyway, in order to optimize the discharge current from battery at light load, BATFET gate charge pump operates with lower frequency.

POWER UP WITH INPUT SOURCE

When an input source is plugged in, the device checks the input source voltage to turn on LDO and all the bias circuits. It detects and sets the input current limit before the buck converter is started. The power up sequence from input source is as listed:

1. Power up V_{LDO}
2. Poor Source Qualification
3. Input Source Type Detection is based on D+/D- to set default input current limit (I_{INDPM}) register or input source type.
4. Input Voltage Limit Threshold Setting (V_{INDPM} threshold)
5. Converter Power-up

LDO POWER UP

V_{LDO} is enabled when the below conditions are met:

1. V_{BUS} is above 3.65V
2. V_{BUS} is above $V_{BAT} + V_{SLEEP}$ (200mV) in Buck mode or V_{BUS} below $V_{BAT} + V_{SLEEP}$ in Boost mode

Right after two above conditions are valid, LDO is powered up right away

POWER SOURCE QUALIFICATION

After LDO powers up, the device checks the current capability of the input source. The input source has to meet the following requirements in order to start the buck converter.

1. 200mS delay after LDO enable
2. V_{BUS} below the V_{BUS_OVP} threshold
3. V_{BUS} above 3.8V when pulling down 30mA at BUS pin

If the device fails the poor source detection in 30ms, it repeats poor source qualification every 2 seconds. Once the input source passes all the conditions above, the status register bit V_{BUS_GD} is set high and the $nINT$ pin is pulsed to signal to the host.

INPUT SOURCE TYPE DETECTION

After the V_{BUS_GD} bit is set, the device will run input source detection through the DP/DM lines. The ETA6963 follows the USB Battery Charging Specification (BC1.2) to detect input source (SDP/CDP/DCP) and non-standard adapter through USB DP/DM lines, And after input type detection is completed, Input current limit register is changed

to set current limit, VBUS_STAT bits are updated.

The host can over-write IINDPM register to change the input current limit if needed. The charger input current is always limited by the IINDPM register.

DP/DM DETECTION SETS INPUT CURRENT LIMIT

The ETA6963 contains a DP/DM based input source detection to set the input current limit at V_{BUS} plug-in. The DP/DM detection includes standard USB BC1.2 and non-standard adapter. When input source is plugged in, the device starts standard USB BC1.2 detections. The USB BC1.2 is capable to identify Standard Downstream Port (SDP), Charging Downstream Port (CDP) and Dedicated Charging Port (DCP). When the Data Contact Detection (DCD) timer expires, the non-standard adapter detection is applied to set the input current limit. The non-standard detection is used to distinguish vendor specific adapters (Apple and Samsung) based on their unique dividers on the DP/DM pins. Base on DP/DM configuration, the input current limit will be set following the below table:

Table 1: Non-standard Adapter Detection

| NON-STANDARD ADAPTER | DP THRESHOLD | DM THRESHOLD | INPUT CURRENT LIMIT (A) |
|----------------------|---------------------------------|---------------------------------|-------------------------|
| Divider1 | V _{DP} within V2P7_VTH | V _{DM} within V2P0_VTH | 2.1 |
| Divider2 | V _{DP} within V1P2_VTH | V _{DM} within V1P2_VTH | 2 |
| Divider3 | V _{DP} within V2P0_VTH | V _{DM} within V2P7_VTH | 1 |
| Divider4 | V _{DP} within V2P7_VTH | V _{DM} within V2P7_VTH | 2.4 |

Table 2: Input Current Limit Setting from D+/D- Detection

| D+/D- DETECTION | INPUT CURRENT LIMIT (A) |
|-----------------|-------------------------|
| USB SDP | 0.5 |
| USB CDP | 1.5 |
| USB DCP | 2.4 |
| Divider1 | 2.1 |
| Divider2 | 2 |
| Divider3 | 1 |
| Divider4 | 2.4 |
| Unknown Adapter | 0.5 |

BUCK POWER UP

After the input current is set, the device starts Buck converter and allow HSFET and LSFET switching. The ETA6963 provide soft-start time, V_{sys} short protection to avoid overshoot current. When switching is over the soft-start time, the BATFET starts turning on then allows charging progress.

The device provides soft-start when system rail is ramped up. When the system rail is below 2.2 V, the input current limit is set to the lower of 200 mA or IINDPM register setting. After the system rises above 2.2 V, the device limits input current to the value of IINDPM register. As a battery charger, the device deploys a highly efficient 1.5 MHz

step-down switching regulator. The fixed frequency oscillator keeps tight control of the switching frequency under all conditions of input voltage, battery voltage, charge current and temperature, simplifying output filter design.

In order to improve light load efficiency, the device switches to PFM control at light load when battery is below minimum system voltage setting or charging is disabled. During the PFM operation, the switching duty cycle is set by the voltage ratio of SYS and BUS. The PFM_DIS bit can be used to prevent PFM operation in either buck or boost configuration.

BOOST POWER UP

ETA6963 provide boost converter up to 1.2A output current. The boost is enabled when the below conditions are valid:

1. V_{BAT} above the battery voltage exiting boost mode threshold
2. V_{BUS} is less than $V_{BAT}+V_{SLEEP}$ (200mV)
3. OTG_CONFIG bit=1
4. TS pin is within acceptable range ($V_{BHOT}<V_{TS}<V_{BCOLD}$)

During boost mode, the status register VBUS_STAT bits is set to 111, the BUS output voltage is 5.15 V by default and 1.5MHz Frequency. The output current can reach up to 1.2 A, selected through I2C (BOOST_LIM bit). The boost output is maintained when V_{BAT} is above V_{OTG_BAT} threshold. When OTG is enabled, the device starts up with PFM and later transits to PWM to minimize the overshoot. The PFM_DIS bit can be used to prevent PFM operation in either buck or boost configuration.

HOST MODE AND DEFAULT MODE

The ETA6963 is a host controlled charger, but it can operate in default mode without host management. In default mode, the device can be used as an autonomous charger with no host or while host is in sleep mode. When the charger is in default mode, WATCHDOG_FAULT bit is logic high. When the charger is in host mode, WATCHDOG_FAULT bit is logic low.

After power-on-reset, the device starts in default mode with watchdog timer expired or default mode. All the registers are in the default settings.

In default mode, the device keeps charging the battery with default 10 hours fast charging safety timer. At the end of the 10 hours, the charging is stopped and the buck converter continues to operate to supply system load.

Writing a '1' to the WD_RST bit transitions the charger from default mode to host mode. All the device parameters can be programmed by the host. To keep the device in host mode, the host has to reset the watchdog timer by writing '1' to WD_RST bit before the watchdog timer expires (WATCHDOG_FAULT bit is set) or disable watchdog timer by setting WATCHDOG bits = 00.

When the watchdog timer expires (WATCHDOG_FAULT bit = 1), the device returns to default mode and all registers are reset to default values except IINDPM, VINDPM, BATFET_DLY, BATFET_DIS, EN_ICHG_MON, PFM_DIS, SYS_Min, Min_VBAT_SEL, Q1_FULLON, OVP, BOOSTV, VDPM_BAT_TRACK, and VINDPM_INT_MASK bits.

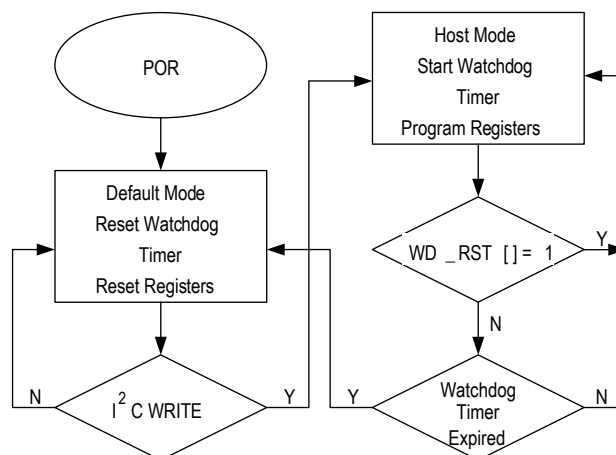


Figure 1: Watchdog Timer Flow Chart

AUTONOMOUS BATTERY CHARGER

The device charges 1cell Li-Ion battery with up to 3A charge current for high capacity tablet battery. The 27mΩ BATFET improves charging efficiency and minimize the voltage drop during discharging.

With battery charging is enabled (CHG_CONFIG = 1 and nCE pin is LOW), the device autonomously completes a charging cycle without host involvement. The host can always control the charging operations and optimize the charging parameters by writing to the corresponding registers through I²C.

A new charge cycle starts when the following conditions are valid:

- Converter starts
- Battery charging is enabled (CHG_CONFIG bit = 1 and ICHG register is not 0 mA and CE is low)
- No thermistor fault on TS
- No safety timer fault
- BATFET is not forced to turn off (BATFET_DIS bit = 0)

Table 3: Charging Parameter Default Setting

| Default Mode | ETA6963 |
|---------------------|----------|
| Charging Voltage | 4.2V |
| Charging Current | 2.048A |
| Pre-charge Current | 180mA |
| Termination Current | 180mA |
| Temperature Profile | JEITA |
| Safety Timer | 10 hours |

The charger device automatically terminates the charging cycle when the charging current is below termination threshold, charge voltage is above recharge threshold, and device not is in DPM mode or thermal regulation.

When a full battery voltage is discharged below recharge threshold (selectable through VRECHG bit), the device automatically starts a new charging cycle. After the charge is done, toggle nCE pin or CHG_CONFIG bit can initiate a new charging cycle.

The STAT output indicates the charging status: charging (LOW), charging complete or charge disable (HIGH) or charging fault (Blinking). The STAT output can be disabled by setting EN_ICHG_MON bits = 11. In addition, the status register (CHRG_STAT) indicates the different charging phases:

- 00-charging disable
- 01-precharge
- 10-fast charge (constant current) and constant voltage mode
- 11-charging done

Once a charging cycle is completed, an INT pulse is asserted to notify the host.

BATTERY CHARGER PROFILE

The device charges the battery in five phases: battery short, pre-conditioning, constant current, constant voltage and top-off trickle charging (optional). At the beginning of a charging cycle, the device checks the battery voltage and regulates current and voltage accordingly.

If the charger device is in DPM regulation or thermal regulation during charging, the actual charging current will be less than the programmed value. In this case, termination is temporarily disabled and the charging safety timer is counted at half the clock rate.

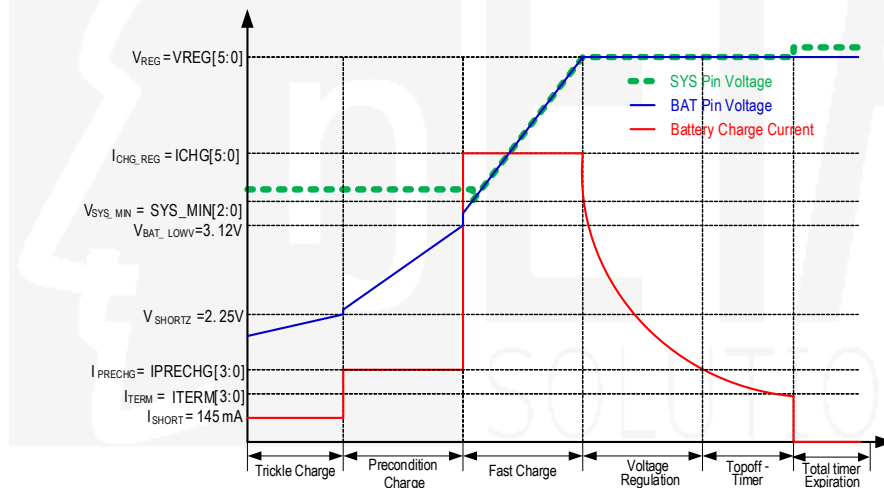


Figure 2: Battery Charger Profile

CHARGE TERMINATION CONFIGURATION

When battery voltage reach regulation level set by VREG[4:0], the device allow charger enter termination if EN_TERM[] = 1. In this state, when charge current falls below I_{TERM} level, charger will be terminated after T_{TOPOFF} . After the charging cycle is completed, the BATFET turns off. The converter keeps running to power the system, and BATFET can turn on again to engage Supplement Mode.

When termination occurs, the status register CHRG_STAT is set to 11, and an INT pulse is asserted to the host. Termination is temporarily disabled when the charger device is in input current, voltage or thermal regulation. Termination can be disabled by writing 0 to EN_TERM bit prior to charge termination.

At low termination currents, due to the comparator offset, the actual termination current may be higher than the termination target. In order to compensate for comparator offset, a programmable top-off timer can be applied after termination is detected. The termination timer will follow safety timer constraints, such that if safety timer is suspended, so will the termination timer. Similarly, if safety timer is doubled, so will the termination timer.

TOPOFF_ACTIVE bit reports whether the top off timer is active or not. The host can read CHRГ_STAT and TOPOFF_ACTIVE to find out the termination status.

Top off timer gets reset at one of the following conditions:

- Charge disable to enable
- Termination status low to high
- REG_RST register bit is set

The top-off timer settings are read in once termination is detected by the charger. Programming a top-off timer value after termination will have no effect unless a recharge cycle is initiated. An INT pulse is asserted to the host when entering top-off timer segment as well as when top-off timer expires.

CHARGE SAFETY TIMER

The device has built-in safety timer to prevent extended charging cycle due to abnormal battery conditions. The safety timer is 2 hours when the battery is below V_{BATLOW} threshold. The user can program fast charge safety timer through I²C (CHG_TIMER bits). When safety timer expires, the fault register CHRГ_FAULT bits are set to 11 and an INT pulse is asserted to the host. The safety timer feature can be disabled through I²C by setting EN_TIMER bit.

During input voltage, current, JEITA cool or thermal regulation, the safety timer counts at half clock rate as the actual charge current is likely to be below the register setting. For example, if the charger is in input current regulation (IDPM_STAT = 1) throughout the whole charging cycle, and the safety time is set to 5 hours, the safety timer will expire in 10 hours. This half clock rate feature can be disabled by writing 0 to TMR2X_EN bit.

During the fault, timer is suspended. Once the fault goes away, fault resumes. If user stops the current charging cycle, and start again, timer gets reset (toggle nCE pin or CHRГ_CONFIG bit).

MINIMUM SYS VOLTAGE

Because the rail that provide power to system is SYS voltage, so to make sure the system always has enough voltage, ETA6963 provide minimum SYS voltage selection. The minimum system voltage is set by SYS_MIN[2:0] bits. Even with a fully depleted battery, the system is regulated above the minimum system voltage (default 3.5 V).

When the battery is below minimum system voltage setting, the BATFET operates in linear mode (LDO mode), and the system is typically 180 mV above the minimum system voltage setting. As the battery voltage rises above the minimum system voltage, BATFET is fully on and the voltage difference between the system and battery is the V_{DS} of BATFET.

When the battery charging is disabled and above minimum system voltage setting or charging is terminated, the system is always regulated at typically 70mV above battery voltage. The status register VSYS_STAT bit goes high when the system is in minimum system voltage regulation.

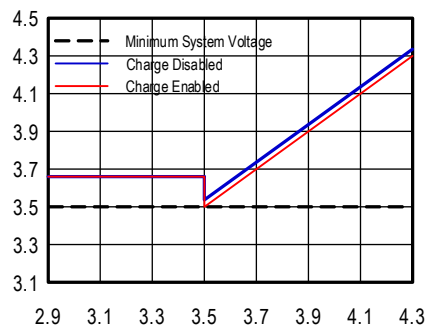


Figure 3: System Voltage vs Battery Voltage

DYNAMIC POWER MANAGEMENT

To meet maximum current limit in USB spec and avoid over loading the adapter, the device features Dynamic Power management (DPM), which continuously monitors the input current and input voltage. When input source is overloaded, either the current exceeds the input current limit (I_{INDPM}) or the voltage falls below the input voltage limit (V_{INDPM}). The device then reduces the charge current until the input current falls below the input current limit and the input voltage rises above the input voltage limit.

When the charge current is reduced to zero, but the input source is still overloaded, the system voltage starts to drop. Once the system voltage falls below the battery voltage, the device automatically enters the supplement mode where the BATFET turns on and battery starts discharging so that the system is supported from both the input source and battery.

During DPM mode, the status register bits VDPM_STAT (V_{INDPM}) or IDPM_STAT (I_{INDPM}) goes high.

SUPPLEMENT MODE

When the system voltage falls 10 mV ($V_{BAT} > V_{SYSMIN}$ when Q4 is full on. In this condition, discharge current is almost 1A.) or 20mV ($V_{BAT} < V_{SYSMIN}$ when Q4 is in regulation. In this condition, gate of Q4 is regulated at about only threshold voltage of the FET, then discharge current is almost zero.) below the battery voltage, the BATFET turns on and the BATFET gate is regulated the gate drive of BATFET so that the minimum BATFET V_{DS} stays at 30 mV when the current is low. This prevents oscillation from entering and exiting the supplement mode.

As the discharge current increases, the BATFET gate is regulated with a higher voltage to reduce $R_{DS(on)}$ until the BATFET is in full conduction. At this point onwards, the BATFET V_{DS} linearly increases with discharge current. Following figure shows the V-I curve of the BATFET gate regulation operation. BATFET turns off to exit supplement mode when the battery is below battery depletion threshold.

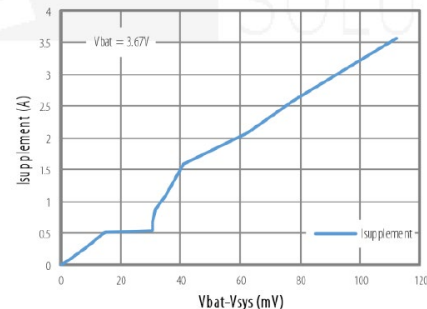


Figure 4: BATFET Current at Entering Supplement Mode

SHIPPING MODE AND nQON PIN

BATFET DISALBE MODE (SHIPPING MODE)

To extend battery life and minimize power when system is powered off during system idle, shipping, or storage, the device can turn off BATFET so that the system voltage is zero to minimize the battery leakage current. When the host set BATFET_DIS bit, the charger can turn off BATFET immediately or delay by t_{SM_DLY} as configured by BATFET_DLY bit.

BATFET ENABLE (EXIT SHIPPING MODE)

When the BATFET is disabled (in shipping mode) and indicated by setting BATFET_DIS, one of the following events can enable BATFET to restore system power:

1. Plug in adapter
2. Clear BATFET_DIS bit
3. Set REG_RST bit to reset all registers including BATFET_DIS bit to default (0)

4. A logic high to low transition on nQON pin with $t_{SHIPMODE}$ deglitch time (1.15s typical) to enable BATFET to exit shipping mode

BATFET FULL SYSTEM RESET

The BATFET functions as a load switch between battery and system when input source is not plugged-in. By changing the state of BATFET from on to off, systems connected to SYS can be effectively forced to have a power-on-reset. The nQON pin supports push-button interface to reset system power without host by changing the state of BATFET.

When the QON pin is driven to logic low for t_{QON_RST} while input source is not plugged in and BATFET is enabled (BATFET_DIS = 0), the BATFET is turned off for t_{BATFET_RST} and then it is re-enabled to reset system power. This function can be disabled by setting BATFET_RST_EN bit to 0.

nQON PIN OPERATION

Internally, there is a 500K pull up resistor from nQON pin to V_{DD} (maximum of V_{BAT} and V_{LDO}).So default, nQON will be high. Then nQON logic low and high voltage threshold are 0.68V and 0.88V respectively. The nQON pin incorporates two functions to control BATFET.

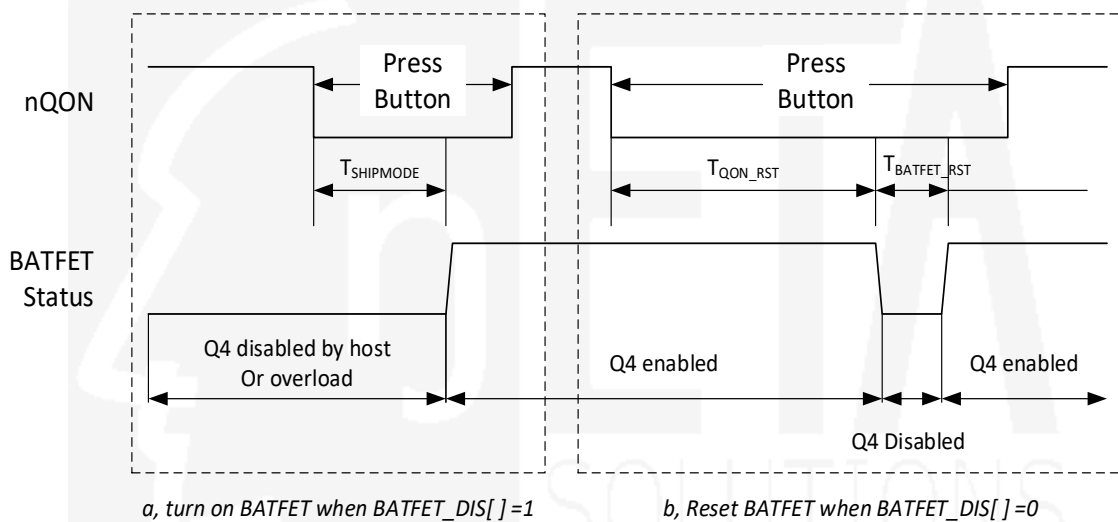
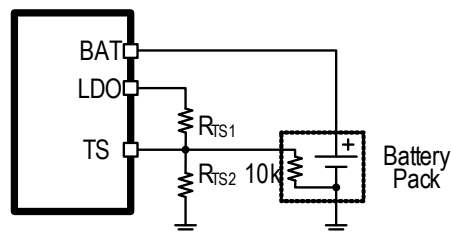


Figure 5: nQON Timing

1. BATFET Enable: A nQON logic transition from high to low with longer than $t_{SHIPMODE}$ deglitch turns on BATFET and exit shipping mode
2. BATFET Reset: When nQON is driven to logic low by at least t_{QON_RST} (12s typical) while adapter is not plugged in (and BATFET_DIS = 0), the BATFET is turned off for t_{BATFET_RST} (10s typical). The BATFET is re-enabled after t_{BATFET_RST} duration. This function allows systems connected to SYS to have power-on-reset. This function can be disabled by setting BATFET_RST_EN bit to 0.

THERMISTOR QUALIFICATION DURING CHARGING MODE

The charger device provides a single thermistor input for battery temperature monitor.



To improve the safety of charging Li-ion batteries, JEITA guideline was released on April 20, 2007. The guideline emphasized the importance of avoiding a high charge current and high charge voltage at certain low and high temperature ranges.

To initiate a charge cycle, the voltage on TS pin must be within the V_{T1} to V_{T5} thresholds. If TS voltage exceeds the T1-T5 range, the controller suspends charging and waits until the battery temperature is within the T1 to T5 range. At cool temperature (T1-T2), JEITA recommends the charge current to be reduced to half of the charge current or lower. At warm temperature (T3-T5), JEITA recommends charge voltage less than 4.1V.

The charger provides flexible voltage/current settings beyond the JEITA requirement. The voltage setting at warm temperature (T3-T5) can be V_{REG} or 4.1V (configured by JEITA_VSET). The current setting at cool temperature (T1-T2) can be further reduced to 20% of fast charge current (JEITA_ISET).

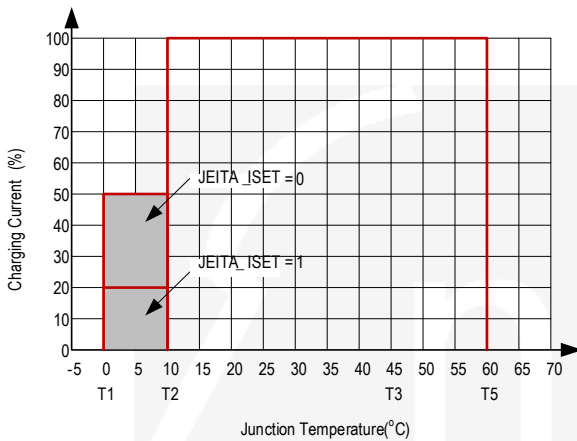


Figure 7: JEITA Profile: Charging Current

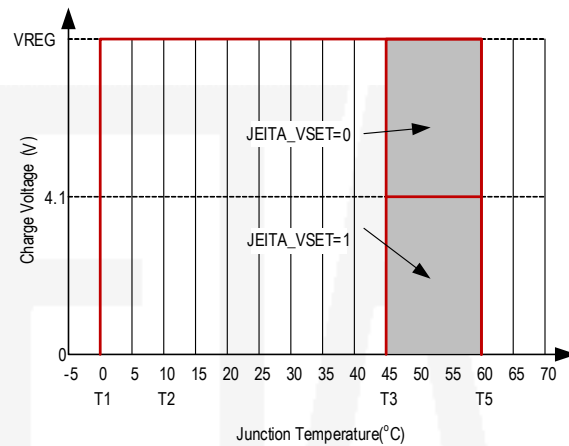


Figure 8: JEITA Profile: Charging Voltage

The resistor bias network has been updated as below.

$$R_{TS1} = \frac{\left(\frac{V_{LDO}}{V_{T1}} - 1\right)}{\frac{1}{R_{TS2}} + \frac{1}{R_{THCOLD}}}$$

$$R_{TS2} = \frac{V_{LDO} \times R_{THCOLD} \times R_{THHOT} \times \left(\frac{1}{V_{T1}} - \frac{1}{V_{T5}}\right)}{R_{THHOT} \times \left(\frac{V_{LDO}}{V_{T5}} - 1\right) - R_{THCOLD} \times \left(\frac{V_{LDO}}{V_{T1}} - 1\right)}$$

THERMISTOR QUALIFICATION DURING BATTERY DISCHARGE MODE

For battery protection during boost mode, the device monitors the battery temperature to be within the V_{BCOLD} to V_{BHOT} thresholds. When temperature is outside of the temperature thresholds, the boost mode is suspended. In addition, V_{BUS_STAT} bits are set to 000 and NTC_FAULT is reported. Once temperature returns within thresholds, the boost mode is recovered and NTC_FAULT is cleared.

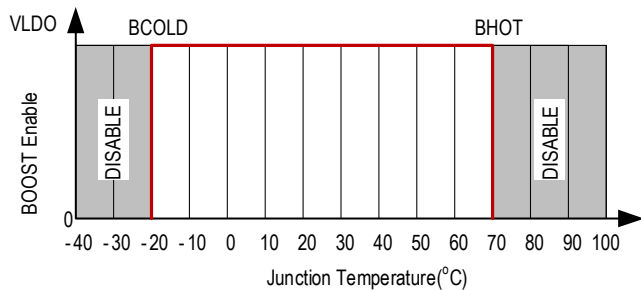


Figure 9: TS Pin Thermistor Sense Threshold in Boost

CHARGING STATUS INDICATION ON STAT PIN

The device indicates charging state on the open drain STAT pin. The STAT pin can drive LED. The STAT pin function can be disabled by setting the $STAT_CONFIG[1:0] = 11$. When $STAT_CONFIG[1:0] = 00$, STAT indication operates

as shown as in below table.

Table 4 STAT Indication table

| CHARGE STATE | STAT INDICATION |
|---|--|
| Charging in progress (including recharge) | LOW |
| Charging complete | HIGH |
| Sleep mode, charge disable | HIGH |
| Charge suspend (input overvoltage, TS fault, timer fault or system overvoltage) Boost Mode suspend (due to TS fault) | Blinking at 1Hz (0.5s LOW / 0.5s HIZ) |

HOST INTERRUPT ON nINT PIN

ETA6963 provides a comfortable feature that host does not need to always monitor the charger operation. The nINT pulse notifies the system on the device operation. The following events will generate 256 μ s INT pulse.

- USB/Adapter Source Detection (through DP/DM pins)
- BUS Pass Poor Source Detection
- Input removed
- Charge Complete
- Any FAULT event in REG09
- V_{INDPM} event detected. Masked by VINDPM_INT_MASK = 1.
- I_{INDPM} event detected. Masked by IINDPM_INT_MASK = 1.

When a fault occurs, the charger device sends out nINT and keeps the fault state in REG09 until the host reads the fault register. Before the host reads REG09 and all the faults are cleared, the charger device would not send any INT upon new faults. To read the current fault status, the host has to read REG09 two times consecutively. The first read reports the pre-existing fault register status and the second read reports the current fault register status.

INPUT OVERVOLTAGE PROTECTION IN CHARGE MODE (ACOV)

If V_{BUS} exceeds the V_{BUS} over voltage threshold V_{BUS_OV} (programmable via OVP[1:0] bits) the device stops switching immediately. During input overvoltage event, the fault register CHRG_FAULT bits are set to 01. An nINT pulse is asserted to the host. The device will automatically resume normal operation once the input voltage drops back below the OVP threshold.

SYSTEM OVERVOLTAGE PROTECTION IN CHARGE MODE (SYSOVP)

The charger device clamps the system voltage during load transient so that the components connect to system would not be damaged due to high voltage. SYSOVP threshold is 14% above system regulation voltage. Upon SYSOVP, converter stops immediately to clamp the overshoot.

BUS OUTPUT SHORT PROTECTION IN BOOST MODE

The device monitors boost output voltage and other conditions to provide output short circuit and overvoltage protection. The Boost build-in accurate constant current regulation to allow OTG to adaptive to various types of load. If short circuit is detected on V_{BUS}, the Boost turns off and retry 7 times. If retries are not successful, OTG is disabled with OTG_CONFIG bit cleared. In addition, the BOOST_FAULT bit is set and an nINT pulse is generated. The BOOST_FAULT bit can be cleared by host by re-enabling boost mode

BUS OVERVOLTAGE PROTECTION IN BOOST MODE

When the V_{BUS} rises above regulation target and exceeds the over voltage threshold V_{OTG_OVP}, the device enters overvoltage protection which stops switching, clears OTG_CONFIG bit and exits boost mode. At Boost overvoltage

duration, the fault register bit (BOOST_FAULT) is set high to indicate fault in boost operation. An nINT pulse is also asserted to the host.

THEMAL REGULATION IN BUCK MODE

The ETA6963 monitors the internal junction temperature T_J to avoid overheat the chip and limits the IC surface temperature at 110°C in buck mode. When the internal junction temperature exceeds thermal regulation limit (110°C), the device lowers down the charge current. During thermal regulation, the actual charging current is usually below the programmed battery charging current. Therefore, termination is disabled, the safety timer runs at half the clock rate, and the status register THERM_STAT bit goes high.

Thermal limit is programmable to 90°C by programming TREG bit.

THEMAL SHUTDOWN

The device monitors the internal junction temperature to provide thermal shutdown during any mode. When IC surface temperature exceeds T_{SHUT} (160°C), BATFET and Converter are disabled. OTG_CONFIG bit is cleared if in BOOST mode and BOOST_FAULT bit is set. In Charge mode, CHARGE_FAULT bit is set. An nINT pulse is asserted to the host.

When IC temperature is T_{SHUT_HYS} (30°C) below T_{SHUT} (160°C), The BATFET and charger are enabled following enable condition, Boost can be enabled by host.

BATTERY OVER-VOLTAGE PROTECTION

The battery overvoltage limit is clamped at 7% above the battery regulation voltage. When battery over voltage occurs, the charger device immediately disables charge. The fault register BAT_FAULT bit goes high and an nINT pulse is asserted to the host

BATTERY OVER-DISCHARGE PROTECTION

When battery is discharged below the battery depletion falling threshold $V_{BAT_DPL_FALL}$, the BATFET is turned off to protect battery from over discharge. To recover from over discharge, an input source is required at V_{BUS} . When an input source is plugged in, the BATFET turns on. The battery is charged with I_{SHORT} (typically 150 mA) current when the V_{BAT} is smaller than the trickle charge voltage threshold V_{SHORT} , or pre-charge current as set in I_{PRECHG} register when the battery voltage is between V_{SHORT} and the pre-charge voltage threshold V_{BAT_LOWV} .

SYSTEM OVER-CURRENT PROTECTION

When the system is shorted or significantly overloaded ($I_{BAT} > I_{BATOP}$) so that its current exceeds the overcurrent limit, the device latches off BATFET. Section BATFET Enable (Exit Shipping Mode) can reset the latch-off condition and turn on BATFET.

I²C COMMUNICATION

The device uses I²C compatible interface for flexible charging parameter programming and instantaneous device status reporting. I²C™ is a bi-directional 2 wire serial interface developed by Philips Semiconductor (now NXP Semiconductors). Only two bus lines are required: a serial data line (SDA) and a serial clock line (SCL). Devices can be considered as masters or slaves when performing data transfers. A master is the device which initiates a data transfer on the bus and generates the clock signals to permit that transfer. At that time, any device addressed is considered a slave.

The device operates as a slave device with address D6H, receiving control inputs from the master device like micro controller or a digital signal processor through REG00-REG0B. The I²C interface supports both standard mode (up to 100kbits), and fast mode (up to 400kbits), connecting to the positive supply voltage via a current source or pull-up resistor. When the bus is free, both lines are HIGH. The SDA and SCL pins are open drain.

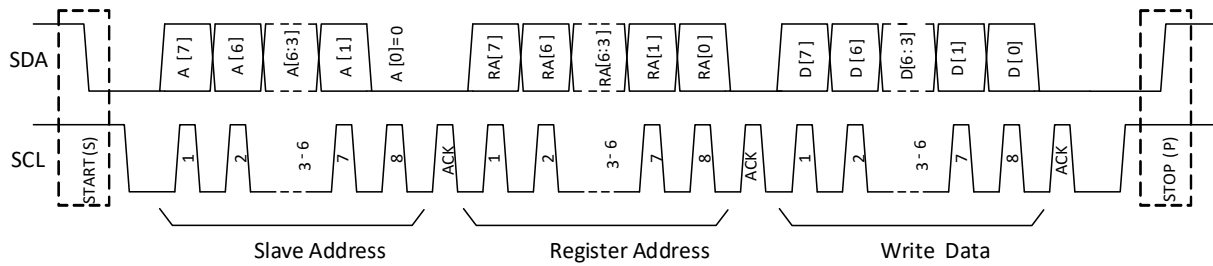


Figure 10: Single Write

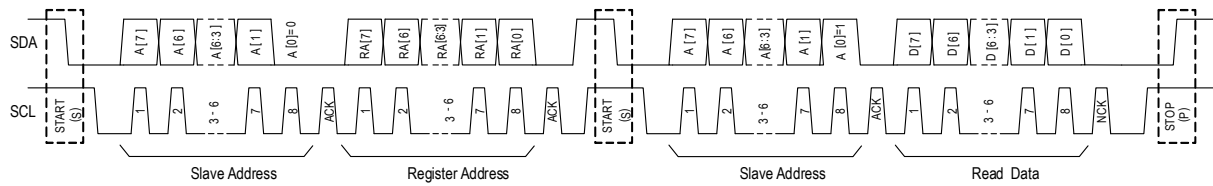


Figure 11: Single Read

Device address is understood value of A[7:0] while A[0] is “0”. This is also the address to write the data to the device registers. To read data from register, sending the command to address with A[0] is “1”. Register address are in RA[7:0]. Data to or from register are D[7:0].

REGISTER MAP

Table 5: REG00

| BIT | NAME | POR | TYPE | RESET BY | DESCRIPTION | NOTE |
|-----|----------------|-----|------|---------------------------|---|--|
| 7 | EN_HIZ | 0 | R/W | by REG_RST by Watchdog | 0-Disable, 1-Enable | Enable HIZ Mode 0-Disable (default) 1-Enable |
| 6 | EN_ICHG_MON[1] | 0 | R/W | by REG_RST | 00 - Enable STAT pin function (default) 01 - Reserved 10 - Reserved 11 - Disable STAT pin function (float pin) | |
| 5 | EN_ICHG_MON[0] | 0 | | | | |
| 4 | IINDPM[4] | 1 | R/W | by REG_RST | 1600 mA | Input Current Limit Offset: 100 mA Range: 100 mA (000000) – 3.2 A (11111) Default:2400 mA (10111), maximum input current limit, not typical. IINDPM bits are changed automatically after input source detection is completed Host can over-write IINDPM register bits after input source detection is completed. |
| 3 | IINDPM[3] | 0 | R/W | by REG_RST | 800 mA | |
| 2 | IINDPM[2] | 1 | R/W | by REG_RST | 400 mA | |
| 1 | IINDPM[1] | 1 | R/W | by REG_RST | 200 mA | |
| 0 | IINDPM[0] | 1 | R/W | by REG_RST | 100 mA | |

Table 6: REG01

| BIT | NAME | POR | TYPE | RESET BY | DESCRIPTION | NOTE |
|-----|------------|-----|------|---------------------------|--|---|
| 7 | PFM_DIS | 0 | R/W | by REG_RST | 0 – Enable PFM 1 – Disable PFM | Default: 0 - Enable |
| 6 | WD_RST | 0 | R/W | by REG_RST by Watchdog | I ² C Watchdog Timer Reset 0 –Normal; 1 – Reset | Default: Normal (0) Back to 0 after watchdog timer reset |
| 5 | OTG_CONFIG | 0 | R/W | by REG_RST by Watchdog | 0 – OTG Disable 1 – OTG Enable | Default: OTG disable (0) Note: 1. OTG_CONFIG would over-ride Charge Enable Function in CHG_CONFIG |

Table 6: REG01

| BIT | NAME | POR | TYPE | RESET BY | DESCRIPTION | NOTE |
|-----|--------------|-----|------|---------------------------|---|---|
| 4 | CHG_CONFIG | 1 | R/W | by REG_RST by Watchdog | 0 - Charge Disable 1- Charge Enable | Default: Charge Battery (1) Note: Charge is enabled when both CE pin is pulled low AND CHG_CONFIG bit is 1 |
| 3 | SYS_Min[2] | 1 | R/W | by REG_RST | System Minimum Voltage | 000: 2.6 V 001: 2.8 V |
| 2 | SYS_Min[1] | 0 | R/W | by REG_RST | | 010: 3 V 011: 3.2 V |
| 1 | SYS_Min[0] | 1 | R/W | by REG_RST | | 100: 3.4 V 101: 3.5 V 110: 3.6 V 111: 3.7 V Default: 3.5 V (101) |
| 0 | Min_VBAT_SEL | 0 | R/W | by REG_RST | 0 – 2.8 V BAT falling, 1 – 2.5 V BAT falling | Minimum battery voltage for OTG mode. Default falling 2.8 V (0); Rising threshold 3.0 V (0) |

Table 7: REG02

| BIT | NAME | POR | TYPE | RESET BY | DESCRIPTION | NOTE |
|-----|------------|-----|------|---------------------------|---|---|
| 7 | BOOST_LIM | 1 | R/W | by REG_RST by Watchdog | 0 = 0.5 A 1 = 1.2 A | Default: 1.2 A (1) Note: The current limit options listed are minimum current limit specs. |
| 6 | Q1_FULLLON | 0 | R/W | by REG_RST | 0 – Use higher Q1 RDSON when programmed IINDPM < 700mA (better accuracy) 1 – Use lower Q1 RDSON always (better efficiency) | In boost mode, full FET is always used and this bit has no effect |
| 5 | ICHG[5] | 1 | R/W | by REG_RST by Watchdog | 1920 mA | Fast Charge Current Default: 2040mA (100010) Range: 0 mA (0000000) – 3000mA (110010) Note: I _{CHG} = 0 mA disables charge. I _{CHG} > 3000 mA (110010) clamped to register value 3000 mA (110010) |
| 4 | ICHG[4] | 0 | R/W | by REG_RST by Watchdog | 960 mA | |
| 3 | ICHG[3] | 0 | R/W | by REG_RST by Watchdog | 480 mA | |
| 2 | ICHG[2] | 0 | R/W | by REG_RST by Watchdog | 240mA | |
| 1 | ICHG[1] | 1 | R/W | by REG_RST by Watchdog | 120mA | |
| 0 | ICHG[0] | 0 | R/W | by REG_RST by Watchdog | 60mA | |

Table 8: REG03

| BIT | NAME | POR | TYPE | RESET BY | DESCRIPTION | NOTE |
|-----|------------|-----|------|---------------------------|-------------|--|
| 7 | IPRECHG[3] | 0 | R/W | by REG_RST by Watchdog | 480mA | Precharge Current Default: 180 mA (0010) Offset: 60 mA Note: I _{PRECHG} > 780 mA clamped to 780 mA (1100) |
| 6 | IPRECHG[2] | 0 | R/W | by REG_RST by Watchdog | 240mA | |
| 5 | IPRECHG[1] | 1 | R/W | by REG_RST by Watchdog | 120mA | |
| 4 | IPRECHG[0] | 0 | R/W | by REG_RST by Watchdog | 60mA | |
| 3 | ITERM[3] | 0 | R/W | by REG_RST by Watchdog | 480mA | Termination Current Default: 180 mA (0010) Offset: 60 mA |
| 2 | ITERM[2] | 0 | R/W | by REG_RST by Watchdog | 240mA | |
| 1 | ITERM[1] | 1 | R/W | by REG_RST by Watchdog | 120mA | |
| 0 | ITERM[0] | 0 | R/W | by REG_RST by Watchdog | 60mA | |

Table 9: REG04

| BIT | NAME | POR | TYPE | RESET BY | DESCRIPTION | NOTE |
|-----|---------------------|-----|------|---------------------------|---|---|
| 7 | VREG[4] | 0 | R/W | by REG_RST by Watchdog | 512mV | Charge Voltage Offset: 3.848 V Range: 3.848 V to 4.616 V (11000) Default: 4.2 V (01011) Note: Value above 11000 is clamped to register value 11000 (4.616 V) |
| 6 | VREG[3] | 1 | R/W | by REG_RST by Watchdog | 256mV | |
| 5 | VREG[2] | 0 | R/W | by REG_RST by Watchdog | 128mV | |
| 4 | VREG[1] | 1 | R/W | by REG_RST by Watchdog | 64mV | |
| 3 | VREG[0] | 1 | R/W | by REG_RST by Watchdog | 32mV | |
| 2 | TOPOFF_TIME R[1] | 0 | R/W | by REG_RST by Watchdog | 00 – Disabled (Default) | The extended time following the termination condition is met. When disabled, charge terminated when termination conditions are met. |
| 1 | TOPOFF_TIME R[0] | 0 | R/W | by REG_RST by Watchdog | 01 – 15 minutes 10 – 30 minutes 11 – 45 minutes | |
| 0 | VRECHG | 0 | R/W | by REG_RST by Watchdog | 0 – 120 mV 1 – 240 mV | |

Table 10: REG05

| BIT | NAME | POR | TYPE | RESET BY | DESCRIPTION | NOTE |
|-----|--------------------------|-----|------|---------------------------|--|------------------------------------|
| 7 | EN_TERM | 1 | R/W | by REG_RST by Watchdog | 0 – Disable 1 - Enable | Default: Enable termination (1) |
| 6 | Reserved | 0 | R/W | by REG_RST by Watchdog | Reserved | Reserved |
| 5 | WATCHDOG[1] | 0 | R/W | by REG_RST by Watchdog | 00 – Disable timer 01 – 40s | Default: 40s (01) |
| 4 | WATCHDOG[0] | 1 | R/W | by REG_RST by Watchdog | 10 – 80s 11 – 160s | |
| 3 | EN_TIMER | 1 | R/W | by REG_RST by Watchdog | 0 – Disable 1 – Enable both fast charge and pre- charge timer | Default: Enable (1) |
| 2 | CHG_TIMER | 1 | R/W | by REG_RST by Watchdog | 0 – 5 hrs 1 – 10 hrs | Default: 10 hours (1) |
| 1 | TREG | 1 | R/W | by REG_RST by Watchdog | Thermal Regulation Threshold: 0 - 90°C 1 - 110°C | Default: 110°C (1) |
| 0 | JEITA_ISET (0°C-10°C) | 1 | R/W | by REG_RST by Watchdog | 0 – 50% of ICHG 1 – 20% of ICHG | Default: 20% (1) |

Table 11: REG06

| BIT | NAME | POR | TYPE | RESET BY | DESCRIPTION | NOTE |
|-----|-----------|-----|------|------------|---------------------|---|
| 7 | OVP[1] | 0 | R/W | by REG_RST | Default: 6.5V (01) | V _{BUS_OVP} threshold: 00 - 5.5 V 01 – 6.5 V (5V input) 10 – 10.5 V (9V input) 11 – 14 V (12V input) |
| 6 | OVP[0] | 1 | R/W | by REG_RST | | |
| 5 | BOOSTV[1] | 1 | R/W | by REG_RST | Default: 5.15V (10) | Boost Regulation Voltage: 00 - 4.85V 01 - 5.00V 10 - 5.15V 11 - 5.30V |
| 4 | BOOSTV[0] | 0 | R/W | by REG_RST | | |
| 3 | VINDPM[3] | 0 | R/W | by REG_RST | 800mV | Absolute VINDPM Threshold Offset: 3.9 V Range: 3.9 V (0000) – 5.4 V (1111) Default: 4.5V (0110) |
| 2 | VINDPM[2] | 1 | R/W | by REG_RST | 400mV | |
| 1 | VINDPM[1] | 1 | R/W | by REG_RST | 200mV | |
| 0 | VINDPM[0] | 0 | R/W | by REG_RST | 100mV | |

Table 12: REG07

| BIT | NAME | POR | TYPE | RESET BY | DESCRIPTION | NOTE |
|-----|---------------------------|-----|------|---------------------------|---|---|
| 7 | IINDET_EN | 0 | R/W | by REG_RST by Watchdog | 0 - Not in input current limit detection 1 - Force input current limit detection when VBUS is present | Returns to 0 after input detection is complete |
| 6 | TMR2X_EN | 1 | R/W | by REG_RST by Watchdog | 0 - Disable 1 - Safety timer slowed by 2X during input DPM (both V and I) or JEITA cool, or thermal regulation | |
| 5 | BATFET_DIS | 0 | R/W | by REG_RST | 0 - Allow Q4 turn on, 1 - Turn off Q4 with TBATFET_DLY delay time (REG07[3]) | Default: Allow Q4 turn on (0) |
| 4 | JEITA_VSET (45°C-60°C) | 0 | R/W | by REG_RST by Watchdog | 0 - Set Charge Voltage to 4.1V (max), 1 - Set Charge Voltage to VREG | |
| 3 | BATFET_DLY | 1 | R/W | by REG_RST | 0 - Turn off BATFET immediately when BATFET_DIS bit is set 1 - Turn off BATFET after TBATFET_DLY (typ. 10s) when BATFET_DIS bit is set | Default: 1 Turn off BATFET after T _{BATFET_DLY} (typ. 10s) when BATFET_DIS bit is set |
| 2 | BATFET_RST_EN | 1 | R/W | by REG_RST by Watchdog | 0 - Disable BATFET reset function 1 - Enable BATFET reset function | Default: 1 Enable BATFET reset function |
| 1 | VDPM_BAT_TRACK[1] | 0 | R/W | by REG_RST | 00 - Disable function (VINDPM set by register) | Sets VINDPM to track BAT voltage. Actual VINDPM is higher of register value and V _{BAT} + V _{DPM_BAT_TRACK} |
| 0 | VDPM_BAT_TRACK[0] | 0 | R/W | by REG_RST | 01 - V _{BAT} + 200mV 10 - V _{BAT} + 250mV 11 - V _{BAT} + 300mV | |

Table 13: REG08

| BIT | NAME | POR | TYPE | RESET BY | DESCRIPTION |
|-----|--------------|-----|------|----------|---|
| 7 | VBUS_STAT[2] | X | R | NA | V _{BUS} Status register 000: No input 001: USB Host SDP 010: USB CDP: (1.5A) 011: USB DCP (2.4 A) 101: Unknown Adapter (500 mA) 110: Non-Standard Adapter (1A/2A/2.1A/2.4A) 111: OTG Software current limit is reported in IINDPM register |
| 6 | VBUS_STAT[1] | X | R | NA | |
| 5 | VBUS_STAT[0] | X | R | NA | |
| 4 | CHRG_STAT[1] | X | R | NA | Charging status: 00 – Not Charging 01 – Pre-charge (< V _{BATLOW}) 10 – Fast Charging 11 – Charge Termination |
| 3 | CHRG_STAT[0] | X | R | NA | |
| 2 | PG_STAT | X | R | NA | Power Good status: 0 – Power Not Good 1 – Power Good |
| 1 | THERM_STAT | X | R | NA | 0 – Not in thermal regulation 1 – in thermal regulation |
| 0 | VSYS_STAT | X | R | NA | 0 – Not in V _{SYSTMIN} regulation (V _{BAT} > V _{SYSTMIN}) 1 – in V _{SYSTMIN} regulation (V _{BAT} < V _{SYSTMIN}) |

Table 14: REG09

| BIT | NAME | POR | TYPE | RESET BY | DESCRIPTION |
|-----|----------------|-----|------|----------|--|
| 7 | WATCHDOG_FAULT | X | R | NA | 0 – Normal, 1- Watchdog timer expiration |
| 6 | BOOST_FAULT | X | R | NA | 0 – Normal, 1 – V _{BUS} overloaded in OTG, or V _{BUS_OVP} , or battery is too low (any conditions that we cannot start boost function) |
| 5 | CHRG_FAULT[1] | X | R | NA | 00 – Normal, 01 – input fault (V _{BUS_OVP} or V _{BAT} < V _{BUS} < 3.8 V) 10 -Thermal shutdown, 11 – Charge Safety Timer Expiration |
| 4 | CHRG_FAULT[0] | X | R | NA | |
| 3 | BAT_FAULT | X | R | NA | 0 – Normal, 1 – BATOVP |
| 2 | NTC_FAULT[2] | X | R | NA | JEITA 000 – Normal, 010 – Warm, 011 – Cool, 101 – Cold, 110 – Hot (Buck mode) 000 – Normal, 101 – Cold, 110 – Hot (Boost mode) |
| 1 | NTC_FAULT[1] | X | R | NA | |
| 0 | NTC_FAULT[0] | X | R | NA | |

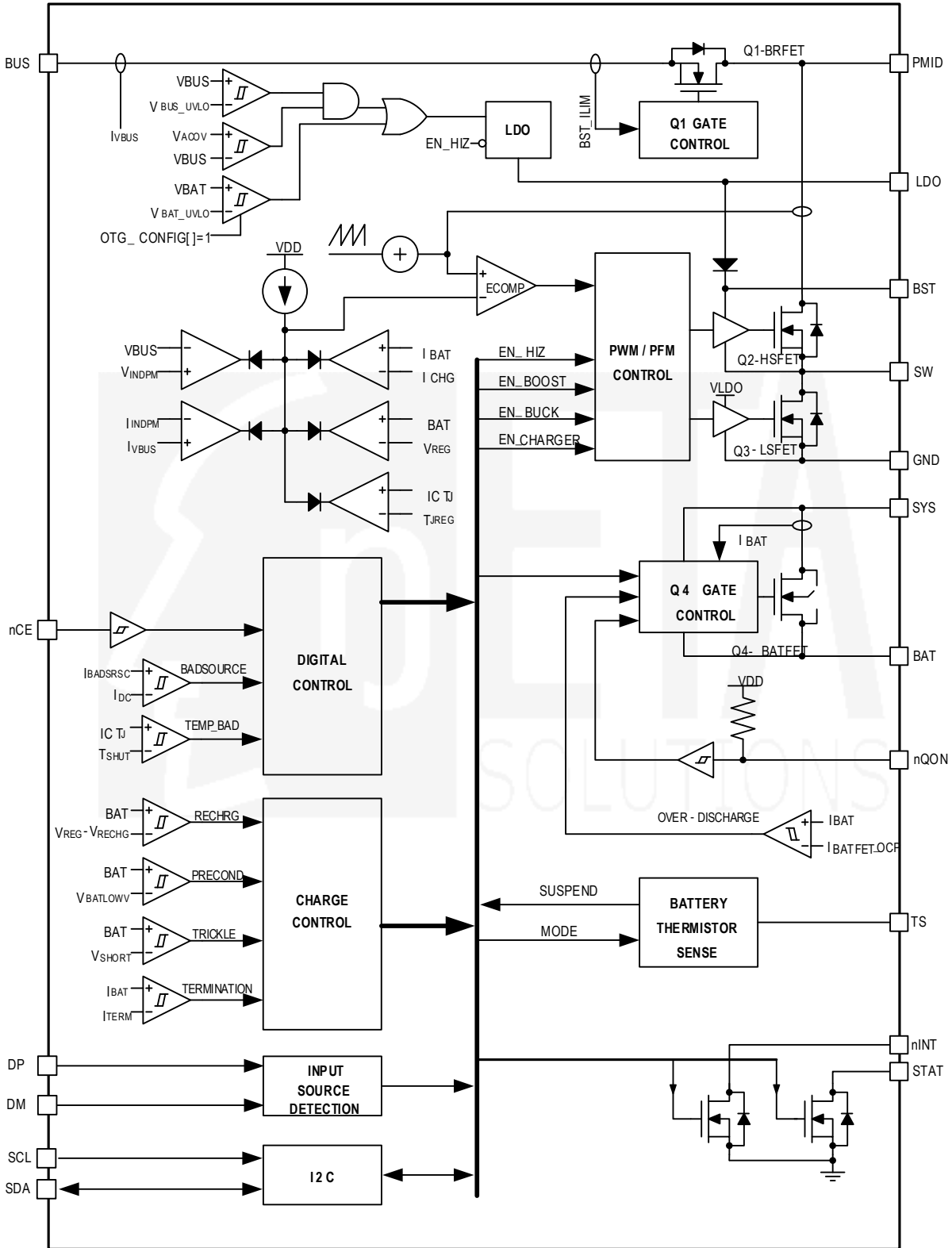
Table 15: REG0A

| BIT | NAME | POR | TYPE | RESET BY | DESCRIPTION |
|-----|-----------------|-----|------|------------|--|
| 7 | VBUS_GD | X | R | NA | 0 – Not V _{BUS} attached 1 – V _{BUS} Attached |
| 6 | VINDPM_STAT | X | R | NA | 0 – Not in VINDPM 1 – in VINDPM |
| 5 | IINDPM_STAT | X | R | NA | 0 – Not in IINDPM 1 – in IINDPM |
| 4 | Reserved | X | R | NA | Reserved Reserved |
| 3 | TOPOFF_ACTIVE | X | R | NA | 0 – Top off timer not counting 1 – Top off timer counting |
| 2 | ACOV_STAT | X | R | NA | 0 – Device is NOT in ACOV 1 – Device is in ACOV |
| 1 | VINDPM_INT_MASK | 0 | R/W | by REG_RST | 0 - Allow VINDPM INT pulse 1 - Mask VINDPM INT pulse |
| 0 | VINDPM_INT_MASK | 0 | R/W | by REG_RST | 0 - Allow IINDPM INT pulse 1 - Mask IINDPM INT pulse |

Table 16: REG0B

| BIT | NAME | POR | TYPE | RESET BY | DESCRIPTION |
|-----|-------------|-----|------|----------|--|
| 7 | REG_RST | X | R/W | NA | Register reset 0 – Keep current register setting 1 – Reset to default register value and reset safety timer Note: Bit resets to 0 after register reset is completed |
| 6 | PIN[3] | 0 | R | NA | ETA6963: 0111 |
| 5 | PIN[2] | 1 | R | NA | |
| 4 | PIN[1] | 1 | R | NA | |
| 3 | PIN[0] | 1 | R | NA | |
| 2 | ETA_PART ID | 1 | R | NA | ETA Part ID for recognition |
| 1 | DEV_REV[1] | X | R | NA | |
| 0 | DEV_REV[0] | X | R | NA | |

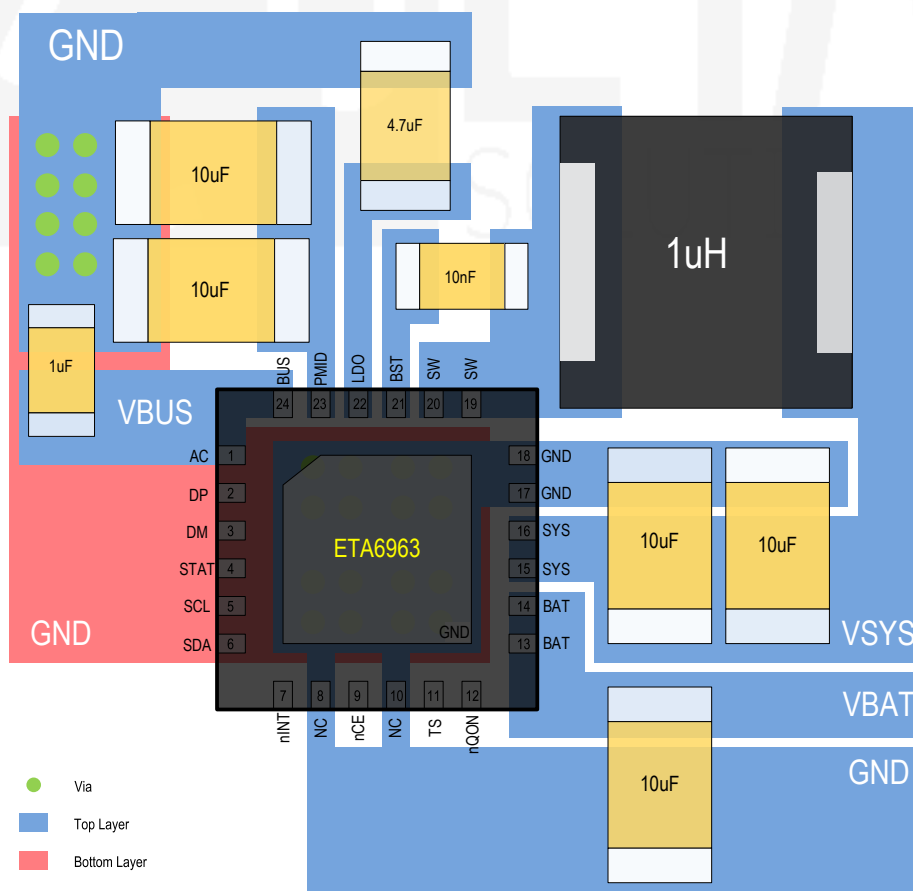
FUNCTION BLOCK DIAGRAM



PCB DESIGN GUIDELINE

In order to have as clean as possible supply for converter, please follow following suggestion:

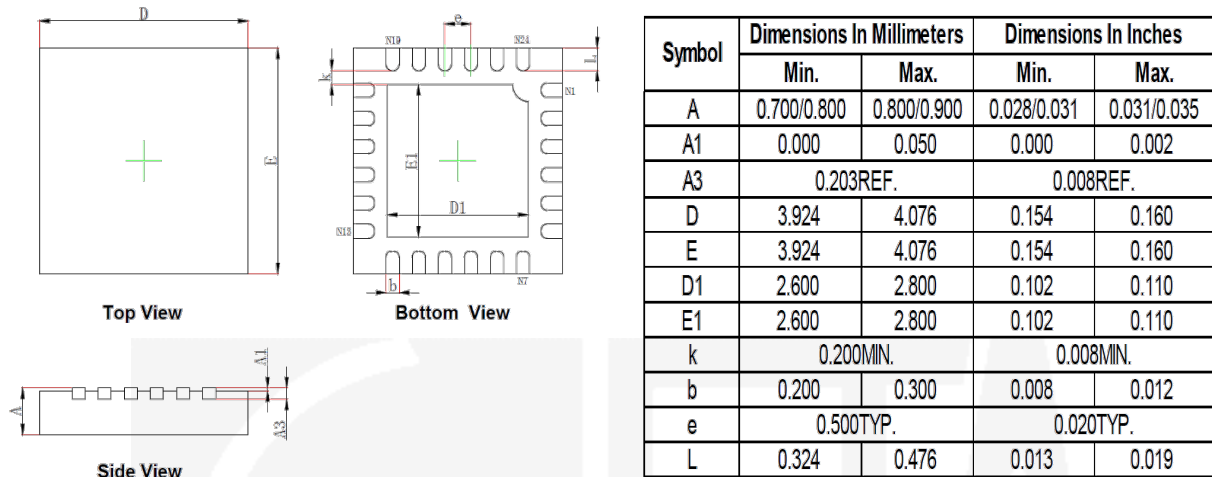
1. Place the BUS, PMID, BAT, SYS, LDO capacitor as close as possible to the pins and wide bottom layer for PGND connections. Also add as much as possible vias for PGND to minimize copper resistance added to PMID capacitor.
2. Place inductor input pin to SW pin as close as possible. Minimize the copper area of this trace to lower electrical and magnetic field radiation but make the trace wide enough to carry the charging current. Do not use multiple layers in parallel for this connection. Minimize parasitic capacitance from this area to any other trace or plane.
3. Put output capacitor near to the inductor and the device. Ground connections need to be tied to the IC ground with a short copper trace connection or GND plane.
4. Use thermal pad as the single ground connection point.
5. Use single ground connection to tie charger power ground to charger analog ground. Just beneath the device. Use ground copper pour but avoid power pins to reduce inductive and capacitive noise coupling.
6. Place decoupling capacitors next to the IC pins and make trace connection as short as possible.
7. It is critical that the exposed thermal pad on the backside of the device package be soldered to the PCB ground. Ensure that there are sufficient thermal vias directly under the IC, connecting to the ground plane on the other layers.
8. Ensure that the number and sizes of vias allow enough copper for a given current path.
9. Ensure almost the bottom layer be ground unless bridge connection.



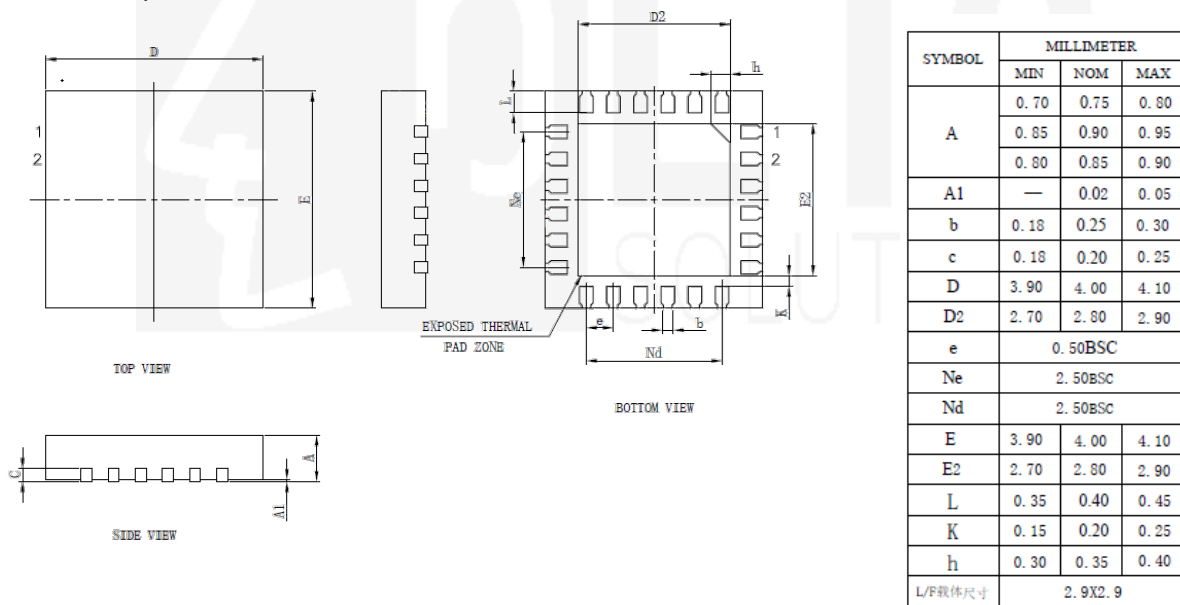
PACKAGE OUTLINE

QFN4x4-24

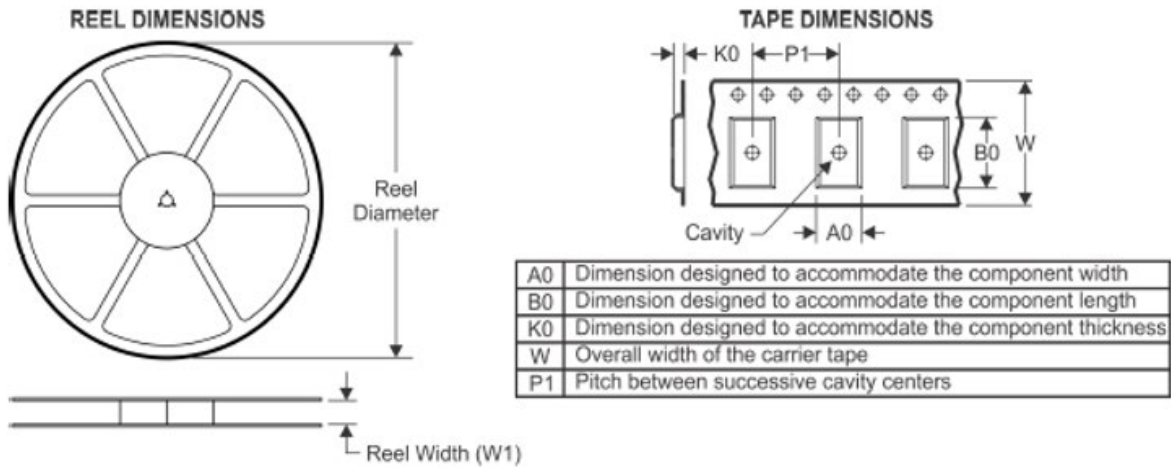
From assembly house 1:



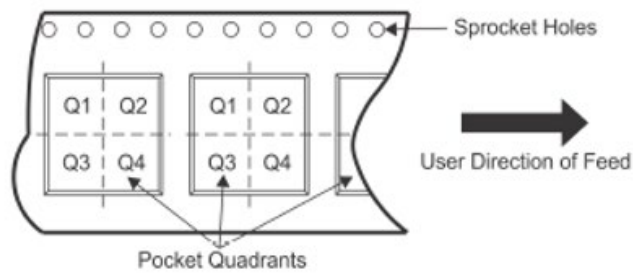
From assembly house 2:



TAPE AND REEL INFORMATION



QUADRANT ASSIGNMENTS FOR PIN 1 ORIENTATION IN TAPE



| Device | Package Type | Pins | SPQ | Reel Diameter (mm) | Reel Width W1 (mm) | A0 (mm) | B0 (mm) | K0 (mm) | P1 (mm) | W (mm) | Pin1 Quadrant |
|------------|--------------|------|------|--------------------|--------------------|---------|---------|---------|---------|--------|---------------|
| ETA6963Q4Y | QFN4*4-24 | 24 | 5000 | 330 | 12.4 | 4.3 | 4.3 | 1.1 | 8 | 12 | Q2 |